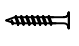







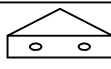
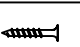
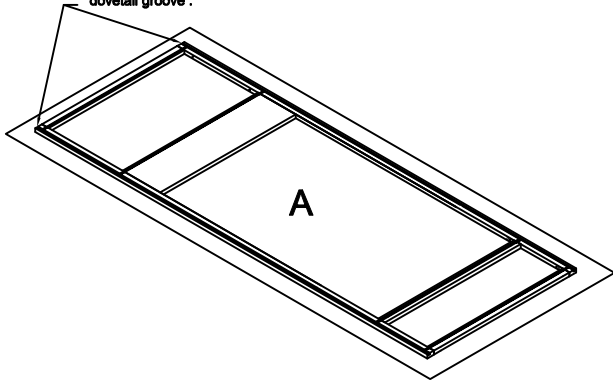


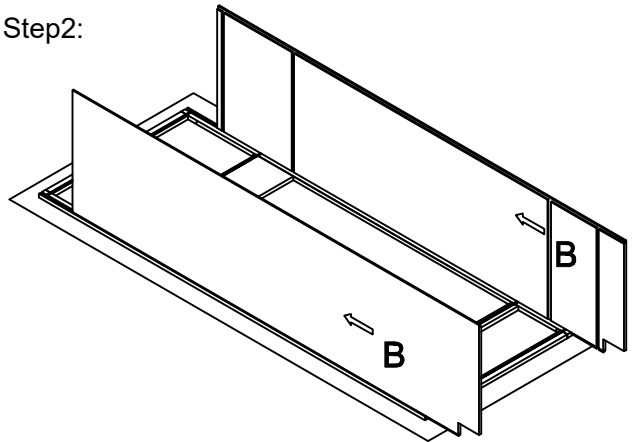
Oven Cabinet Assembly Instruction (Item:OC3190-OC3196)

Hard Ware List	1 16PCS Ø4×25mm	2 8PCS Ø4×16mm	3 4PCS Ø4×19mm	4 4PCS 1-1/4"	5 16PCS Ø4×12mm	6 4PCS	7 4PCS Ø8mm	8 1SET				
	Flat head screw	Flat head screw	Round head screw	Hinge	Flat head screw	Corner brackets	Shelf clips	Slide				
												
	9 4PCS 60°60°18											
	Corner block	10 6PCS Ø4×22mm										
		Flat head screw										
												
Cabinet Parts List	A	Frame	B	Side panels(2)	C	Top panel & Bottom panel(4)		D	Back panel	E	Toe kick	
	G	Door(2)	H	Drawer front(1)	I	Drawer front panel(1)	J	Drawer back panel(1)	K	Drawer side panel(2)	L	Drawer bottom panel(1)
	M	Fixed shelf(1)										

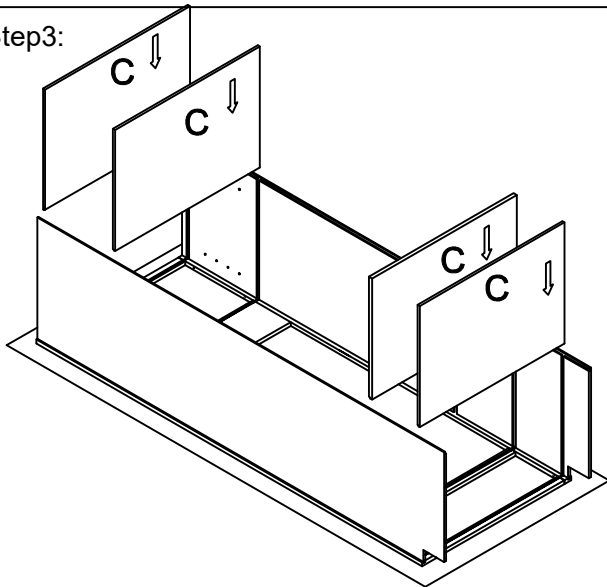
Step1: Add glue all the way down along dovetail groove.



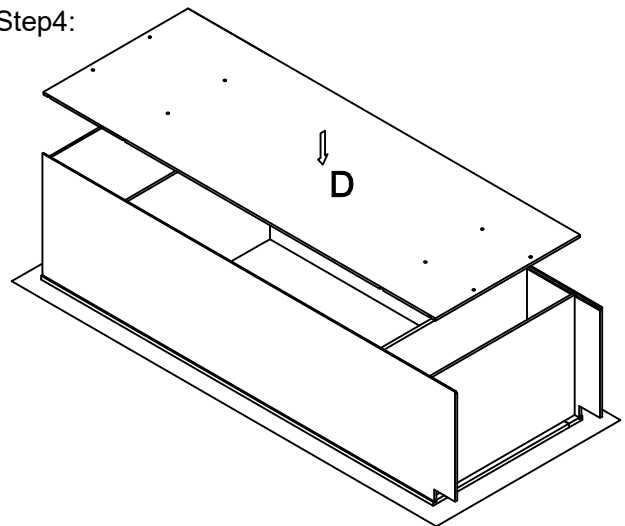
Step2:



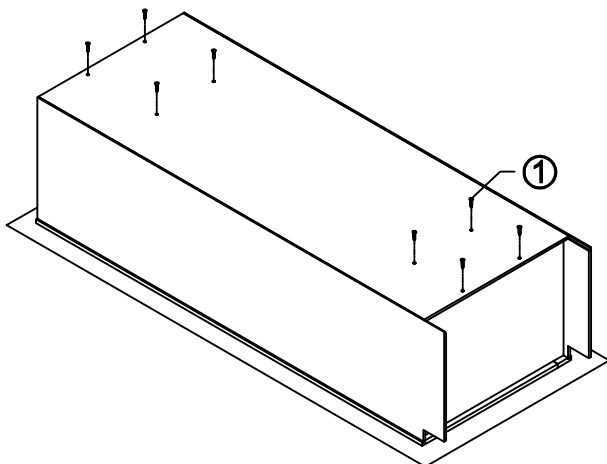
Step3:



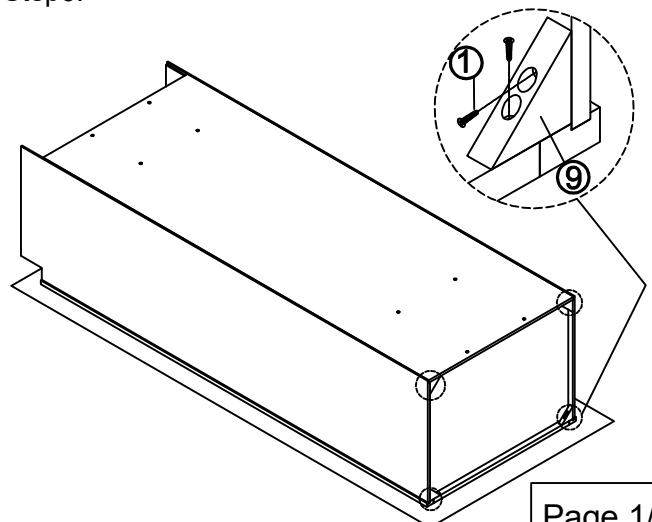
Step4:



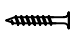







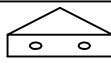
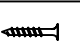
Step5:



Step6:

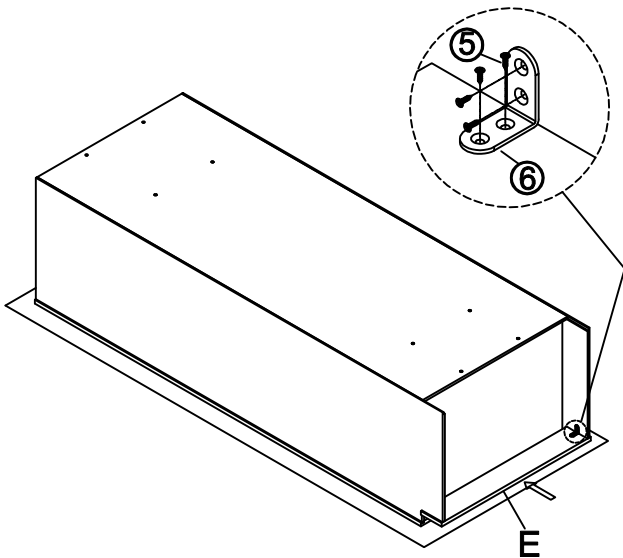


Oven Cabinet Assembly Instruction (Item:OC3190-OC3196)

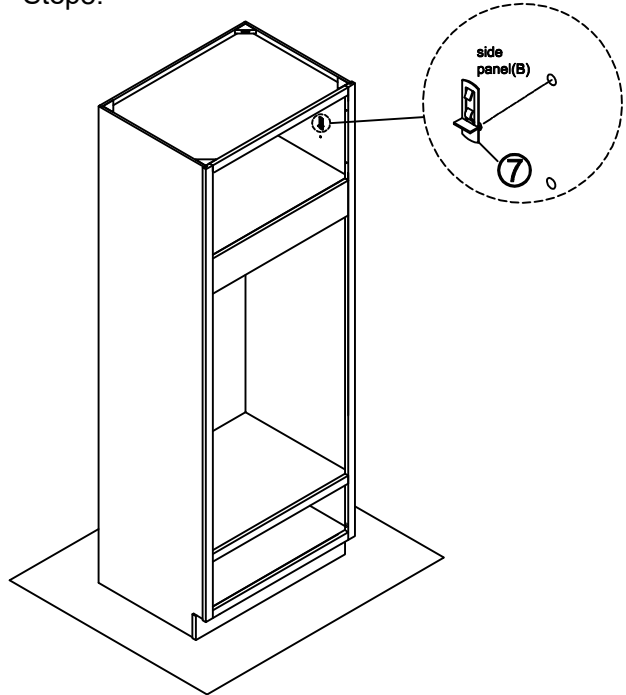
Hard Ware List	1 16PCS Ø4×25mm	2 8PCS Ø4×16mm	3 4PCS Ø4×19mm	4 4PCS 1-1/4"	5 16PCS Ø4×12mm	6 4PCS	7 4PCS Ø8mm	8 1SET
	Flat head screw	Flat head screw	Round head screw	Hinge	Flat head screw	Corner brackets	Shelf clips	Side
								
9 4PCS 60°60°18	10 6PCS Ø4×22mm							
Corner block	Flat head screw							
								

Cabinet Parts List	A	Frame	B	Side panels(2)	C	Top panel & Bottom panel(4)		D	Back panel	E	Toe kick	
	G	Door(2)	H	Drawer front(1)	I	Drawer front panel(1)	J	Drawer back panel(1)	K	Drawer side panel(2)	L	Drawer bottom panel (1)
	M	Fixed shelf (1)										

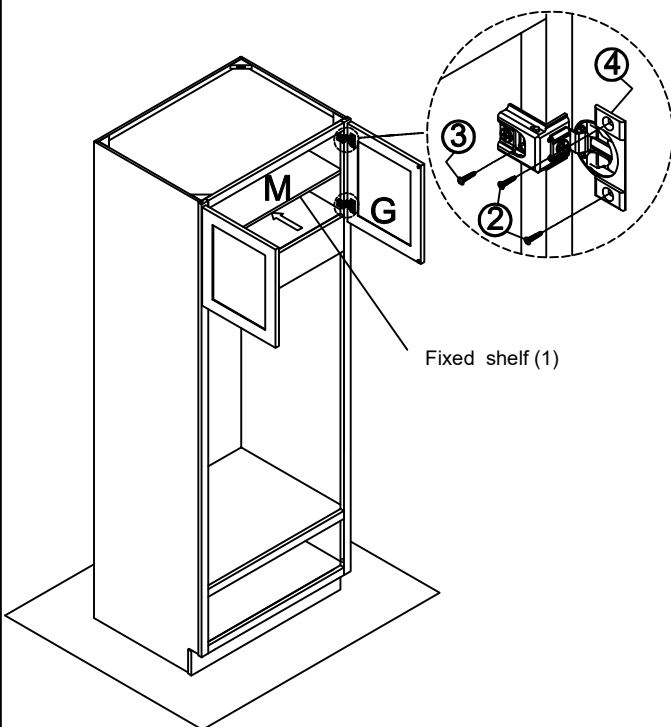
Step7:



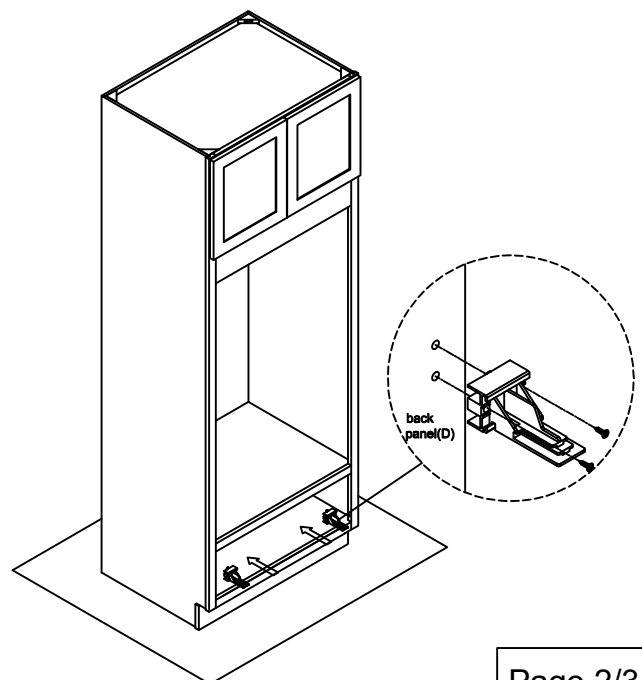
Step8:



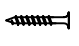







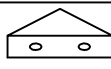
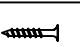
Step9:



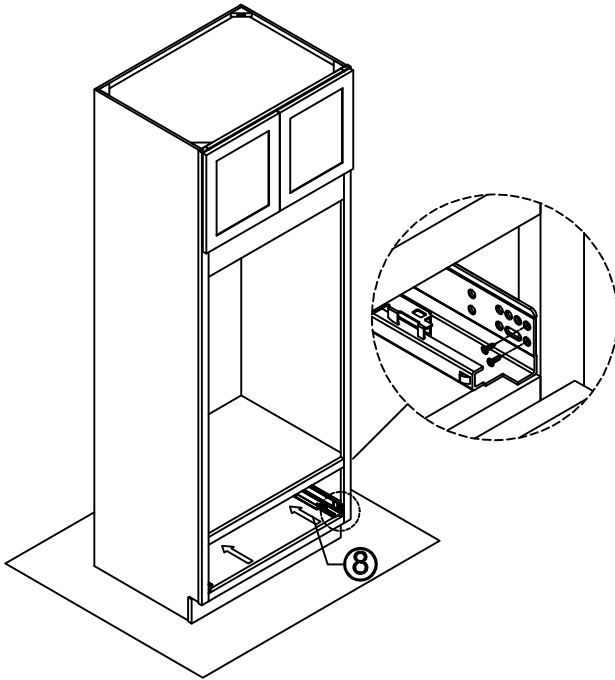
Step10:



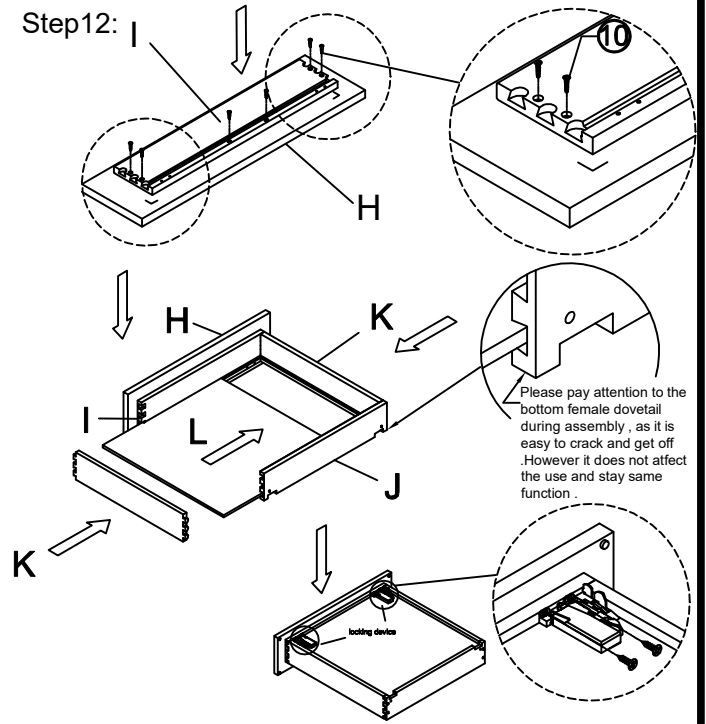
Oven Cabinet Assembly Instruction (Item:OC3190-OC3196)

Hard Ware List	1 16PCS Ø4×25mm	2 8PCS Ø4×16mm	3 4PCS Ø4×19mm	4 4PCS 1-1/4"	5 16PCS Ø4×12mm	6 4PCS	7 4PCS Ø8mm	8 1SET			
	Flat head screw	Flat head screw	Round head screw	Hinge	Flat head screw	Corner brackets	Shelf clips	Slide			
											
Cabinet Parts List	9 4PCS 60°60°18	10 6PCS Ø4×22mm									
	Corner block	Flat head screw									
											
A	Frame	B	Side panels(2)	C	Top panel & Bottom panel(4)		D	Back panel	E	Toe kick	
G	Door(2)	H	Drawer front(1)	I	Drawer front panel(1)	J	Drawer back panel(1)	K	Drawer side panel(2)	L	Drawer bottom panel(1)
M	Fixed shelf (1)										

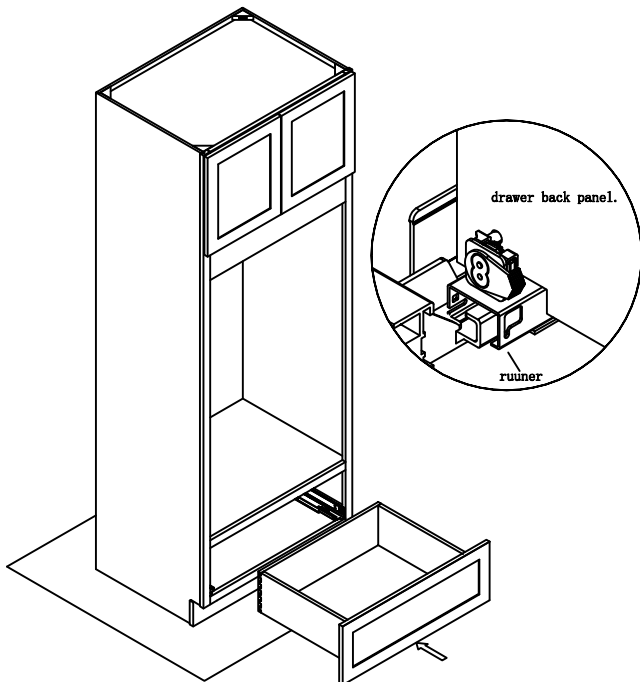
Step11:



Step12:



Step13:



Step14:

