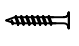






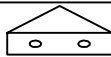
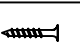
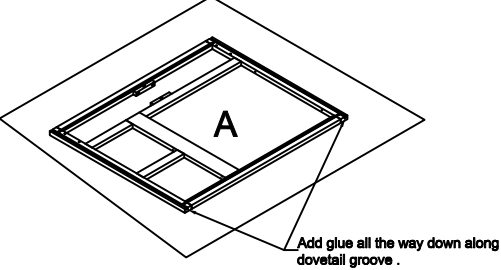


Base Cabinet Assembly Instruction (Item:VSD3621DR/DL-VSD4221DR/DL)

Hard Ware List	1 16PCS Ø4×25mm	2 8PCS Ø4×16mm	3 4PCS Ø4×19mm	4 4PCS 1-1/4"	5 16PCS Ø4×12mm	6 4PCS	8 2SET
	Flat head screw	Flat head screw	Round head screw	Hinge	Flat head screw	Corner brackets	Slide
							
	9 4PCS 60°60°18	10 8PCS Ø4×22mm					
	Corner block	Flat head screw					
							

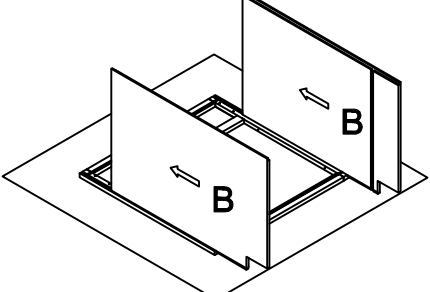
Cabinet Parts List	A	Frame	B	Side panels(2)	C	Bottom panel	D	Back panel	E	Toe kick
	G	Door	H	Drawer front(3)	I	Drawer front panel(2)	J	Drawer back panel(2)	K	Drawer side panel(4)
							L	Drawer bottom panel(2)		

Step1:

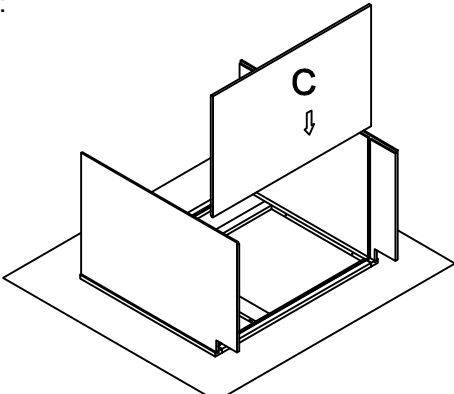


Add glue all the way down along dovetail groove .

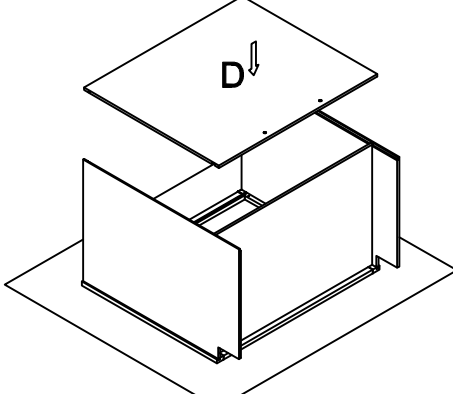
Step2:



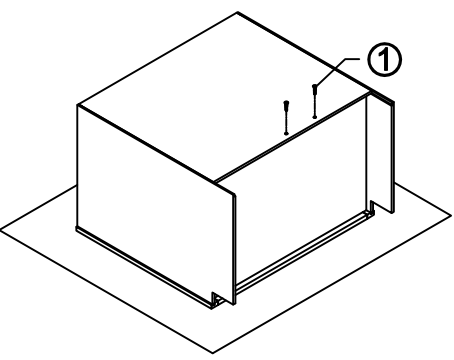
Step3:



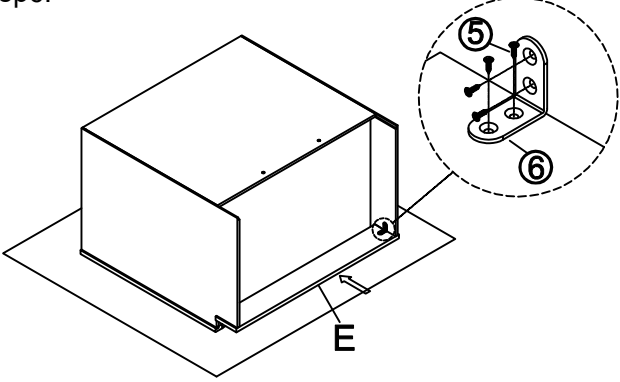
Step4:



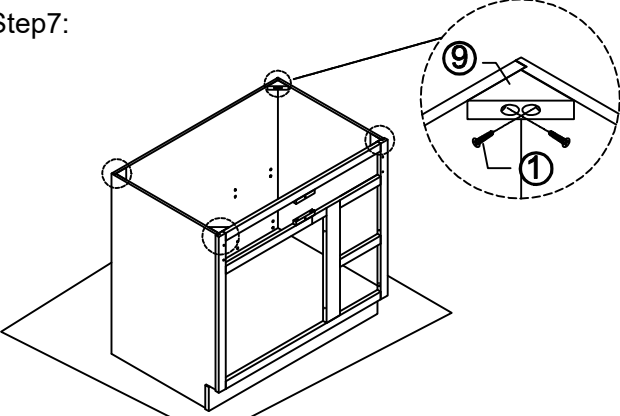
Step5:



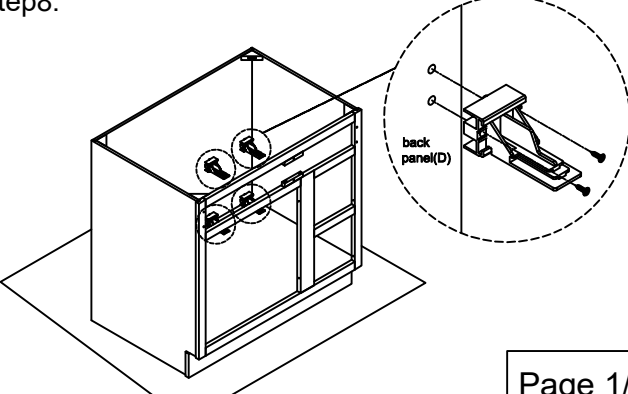
Step6:



Step7:



Step8:



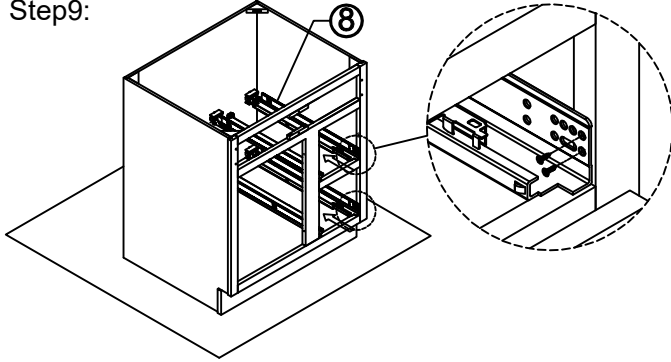
back panel(D)

Base Cabinet Assembly Instruction (Item:VSD3621DR/DL-VSD4221DR/DL)

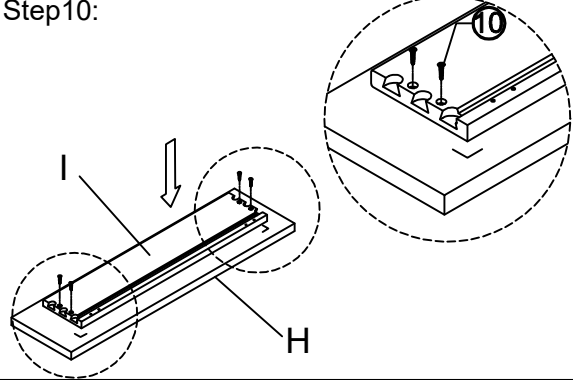
Hard Ware List	1 16PCS Ø4×25mm	2 8PCS Ø4×16mm	3 4PCS Ø4×19mm	4 4PCS 1-1/4"	5 16PCS Ø4×12mm	6 4PCS	8 2SET
	Flat head screw	Flat head screw	Round head screw	Hinge	Flat head screw	Corner brackets	Slide
	9 4PCS 60°60°18	10 8PCS Ø4×22mm					
	Corner block	Flat head screw					

Cabinet Parts List	A	Frame	B	Side panels(2)	C	Bottom panel	D	Back panel	E	Toe kick		
	G	Door	H	Drawer front(3)	I	Drawer front panel(2)	J	Drawer back panel(2)	K	Drawer side panel(4)	L	Drawer bottom panel(2)

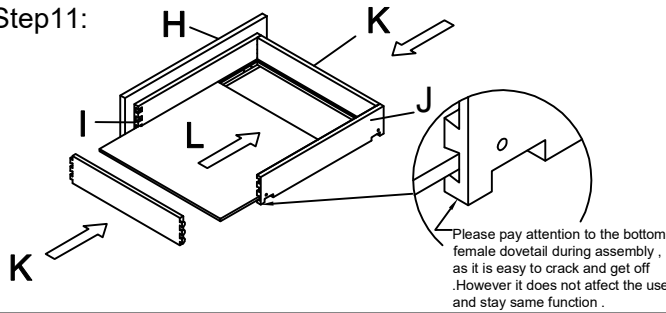
Step9:



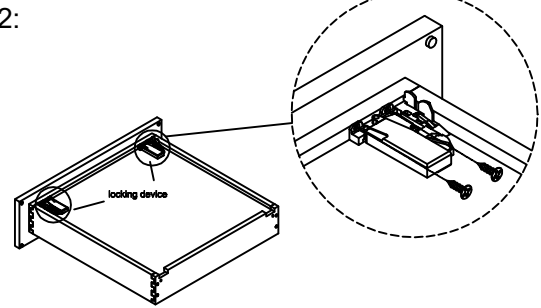
Step10:



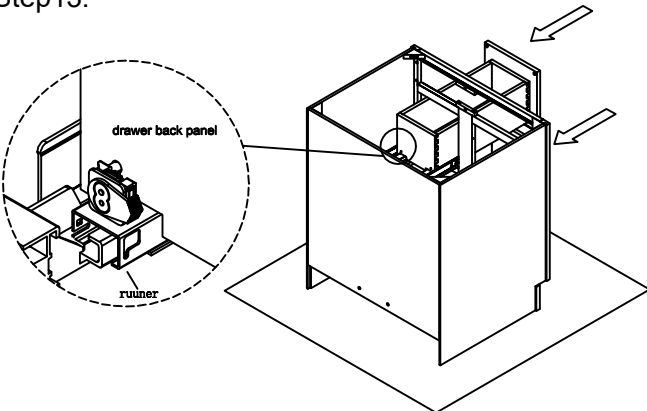
Step11:



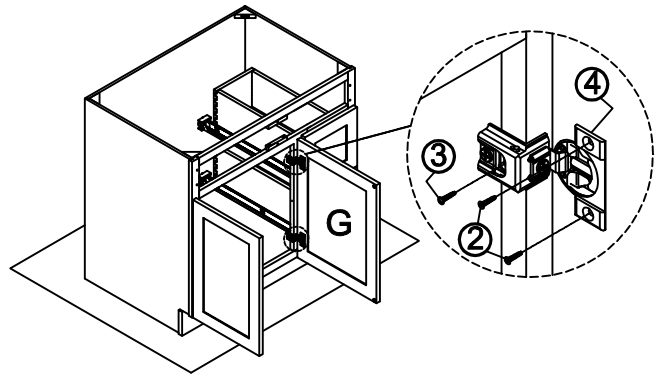
Step12:



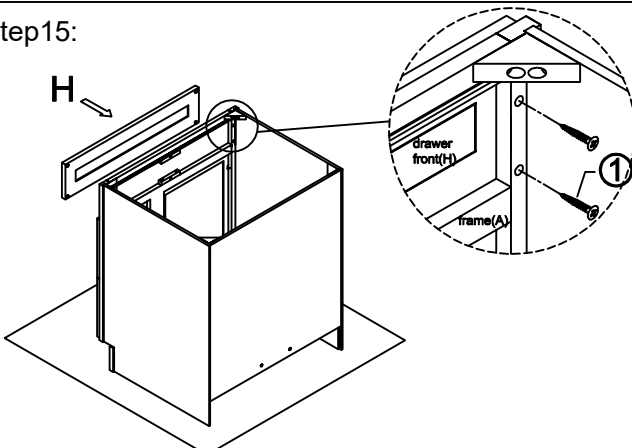
Step13:



Step14:



Step15:



Step16:

