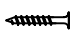






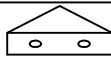
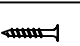
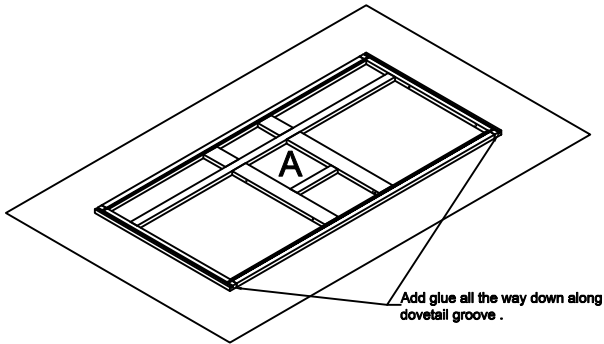


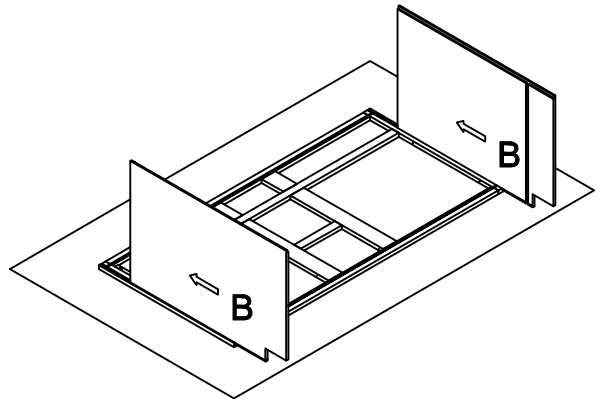
## Base Cabinet Assembly Instruction (Item:VCD6021DS)

Hard Ware List	1   28PCS   Ø4×25mm	2   16PCS   Ø4×16mm	3   8PCS   Ø4×19mm	4   8PCS   1-1/4"	5   16PCS   Ø4×12mm	6   4PCS	8   3SET					
	Flat head screw	Flat head screw	Round head screw	Hinge	Flat head screw	Corner brackets	Slide					
												
	9   4PCS   60°60°18	10   12PCS   Ø4×22mm										
	Corner block	Flat head screw										
												
Cabinet Parts List	A	Frame	B	Side panels(2)	C	Bottom panel	D	Back panel	E	Toe kick	G	Door(4)
	H	Drawer front(5)	I	Drawer front panel(3)	J	Drawer back panel(3)	K	Drawer side panel(6)	L	Drawer bottom panel(3)	N	Top support rail(2)

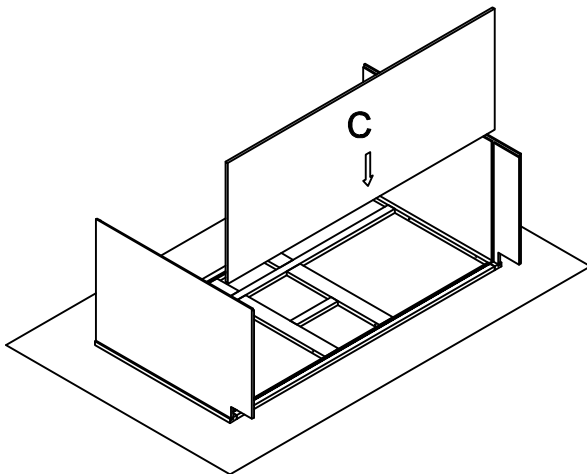
Step1:



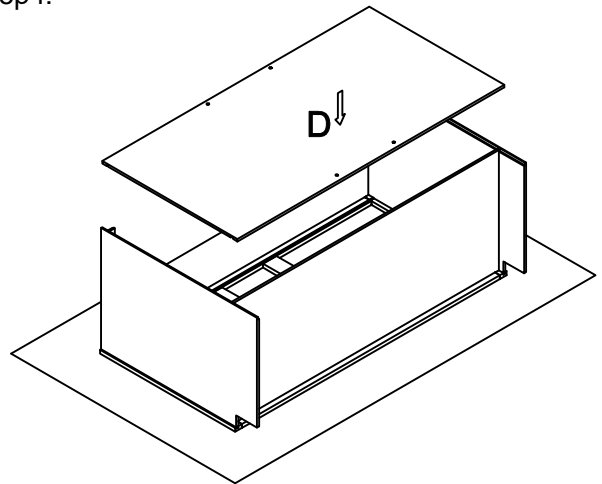
Step2:



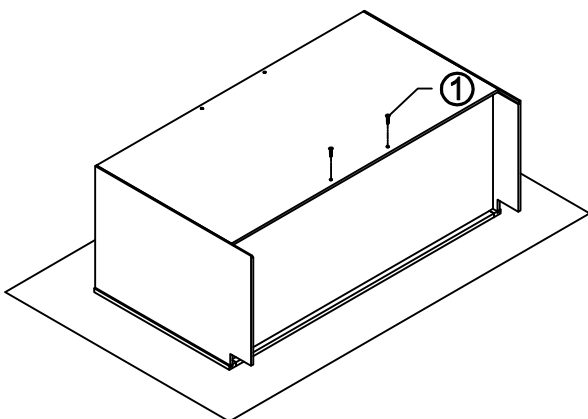
Step3:



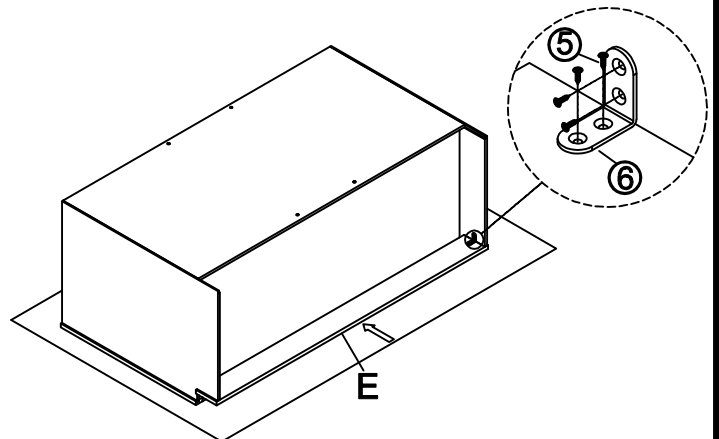
Step4:



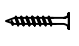







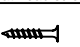
Step5:



Step6:



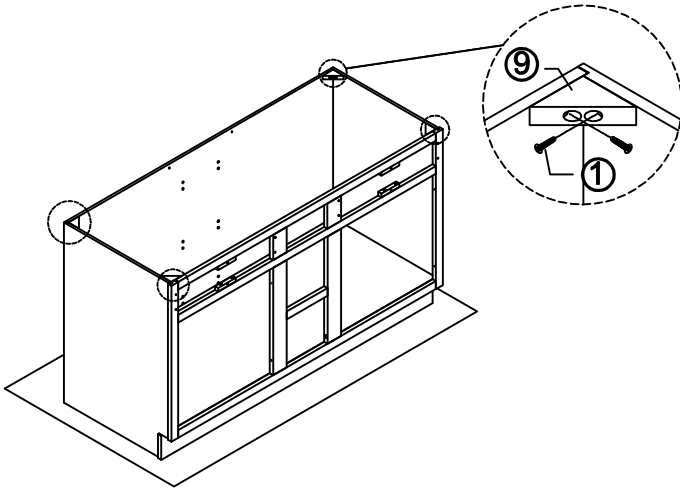
## Base Cabinet Assembly Instruction (Item:VCD6021DS)

Hard Ware List	1   28PCS   Ø4×25mm	2   16PCS   Ø4×16mm	3   8PCS   Ø4×19mm	4   8PCS   1-1/4"	5   16PCS   Ø4×12mm	6   4PCS	8   3SET
	Flat head screw	Flat head screw	Round head screw	Hinge	Flat head screw	Corner brackets	Slide
							
9   4PCS   60°60°18	10   12PCS   Ø4×22mm						
Corner block	Flat head screw						
							

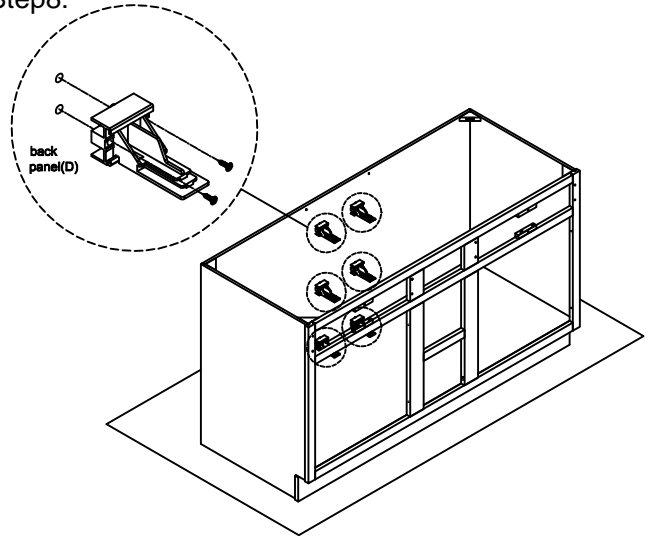
  

Cabinet Parts List	A	Frame	B	Side panels(2)	C	Bottom panel	D	Back panel	E	Toe kick	G	Door(4)
	H	Drawer front(5)	I	Drawer front panel(3)	J	Drawer back panel(3)	K	Drawer side panel(6)	L	Drawer bottom panel(3)	N	Top support rail(2)

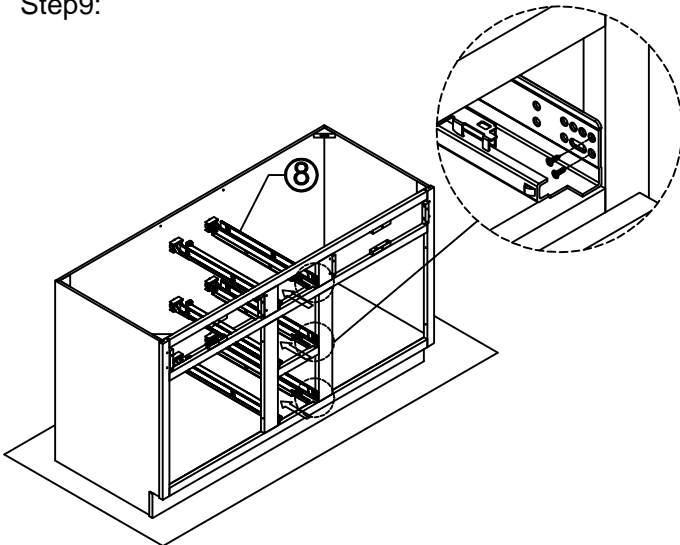
Step7:



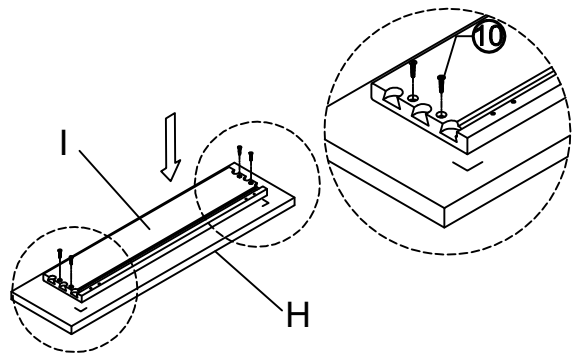
Step8:



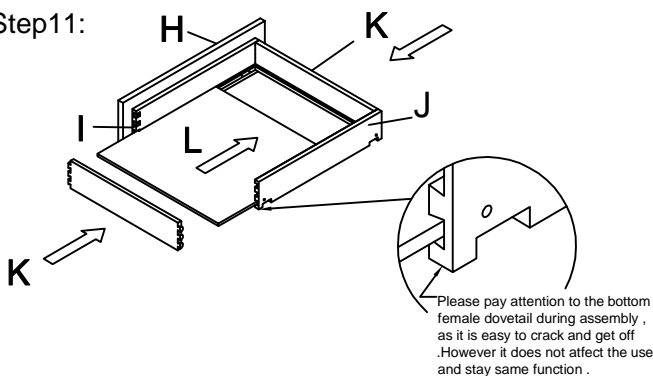
Step9:



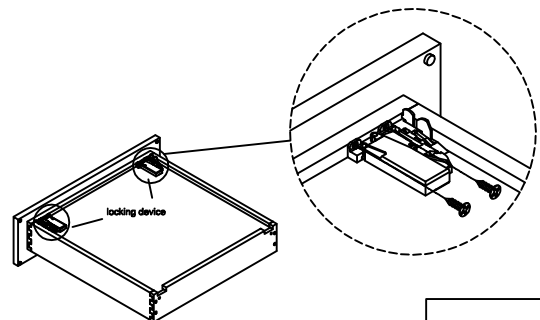
Step10:



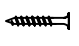






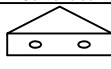
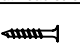
Step11:



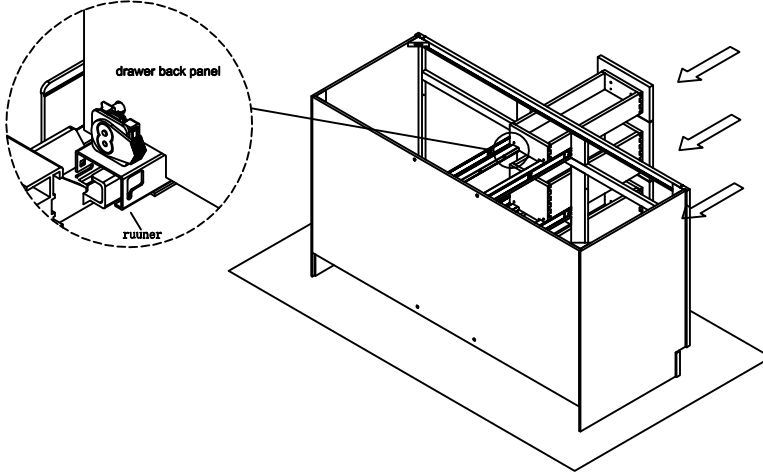
Step12:



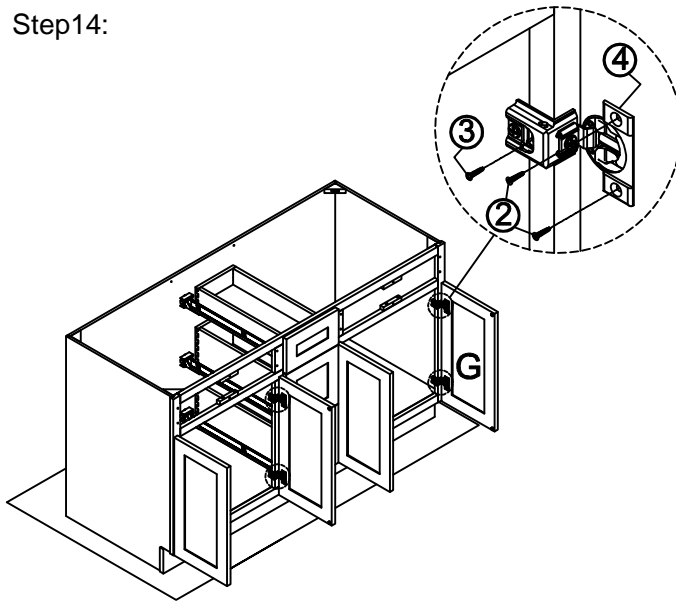
## Base Cabinet Assembly Instruction (Item:VCD6021DS)

Hard Ware List	1   28PCS   Ø4×25mm	2   16PCS   Ø4×16mm	3   8PCS   Ø4×19mm	4   8PCS   1-1/4"	5   16PCS   Ø4×12mm	6   4PCS	8   3SET					
	Flat head screw	Flat head screw	Round head screw	Hinge	Flat head screw	Corner brackets	Slide					
												
	9   4PCS   60°60°18	10   12PCS   Ø4×22mm										
	Corner block	Flat head screw										
												
Cabinet Parts List	A	Frame	B	Side panels(2)	C	Bottom panel	D	Back panel	E	Toe kick	G	Door(4)
	H	Drawer front(5)	I	Drawer front panel(3)	J	Drawer back panel(3)	K	Drawer side panel(6)	L	Drawer bottom panel(3)	N	Top support rail(2)

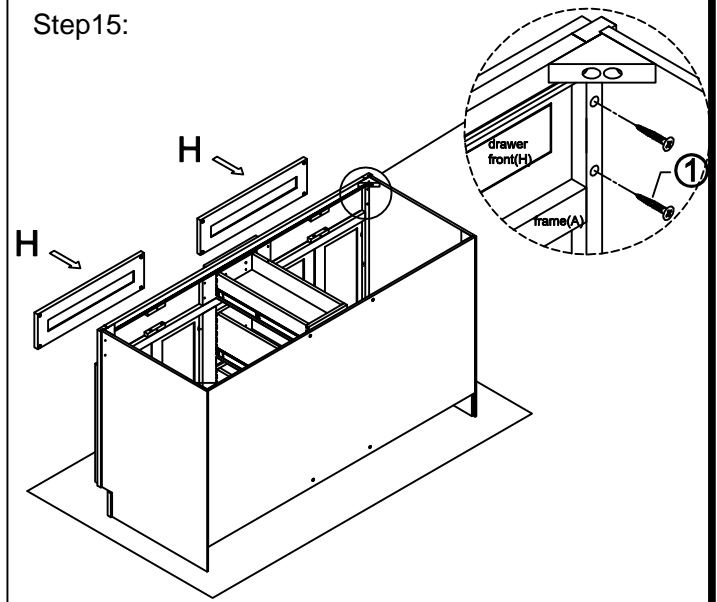
**Step13:**



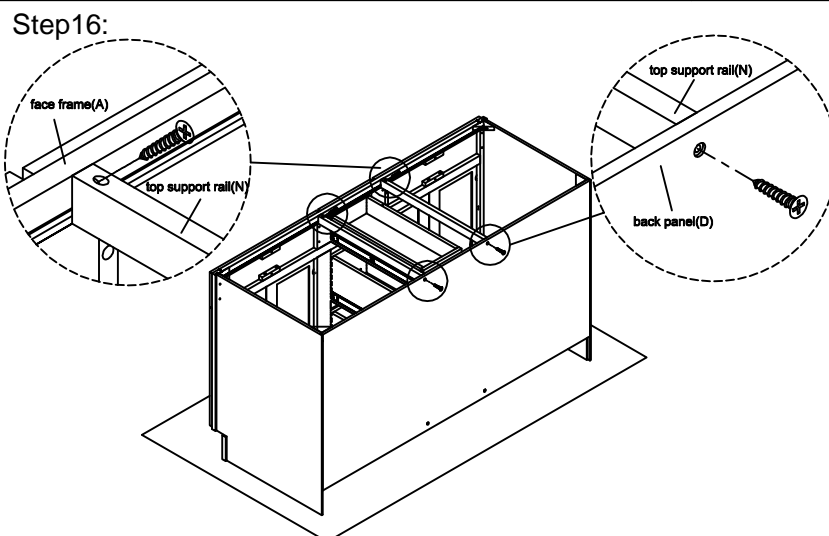
**Step14:**



**Step15:**



**Step16:**



**Step17:**

