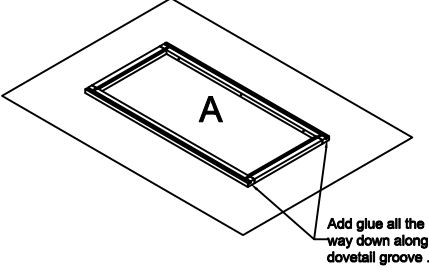


Wall Cabinet Assembly Instruction (Item:W0942-W2142/PW1842)

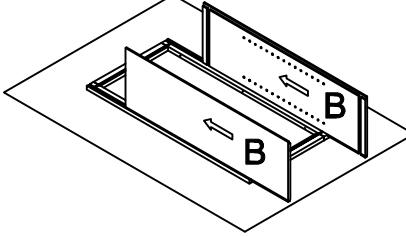
| | | | | | | | | |
|--------------------|--------------------|---------------------|--------------------|-------------------|---------------------|-----------------------------|------------------|------------|
| Hard Ware List | 1 4PCS Ø4×25mm | 2 6PCS Ø4×16mm | 3 3PCS Ø4×19mm | 4 3PCS 1-1/4" | 5 16PCS Ø4×12mm | 6 4PCS | 7 12PCS Ø8mm | |
| | Flat head screw | Flat head screw | Round head screw | Hinge | Flat head screw | Corner brackets | Shelf clips | |
| Cabinet Parts List | A | Frame | B | Side panels(2) | C | Top panel & Bottom panel(2) | D | Back panel |
| | E | Adjustable shelf(3) | | | F | Door | | |

Step1:

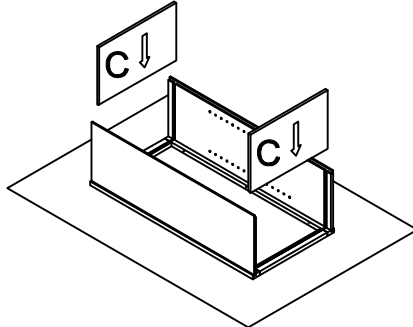


Add glue all the way down along dovetail groove.

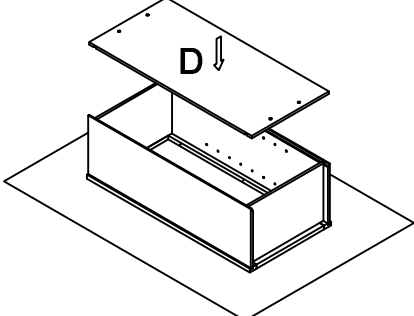
Step2:



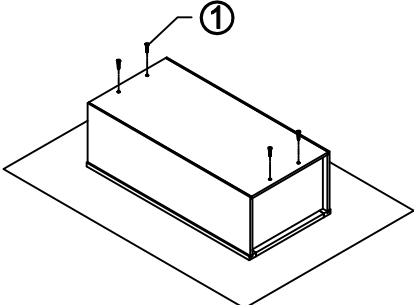
Step3:



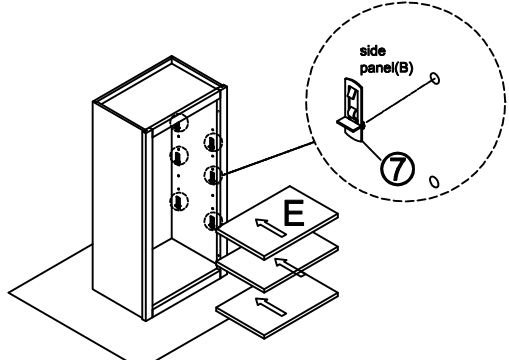
Step4:



Step5:



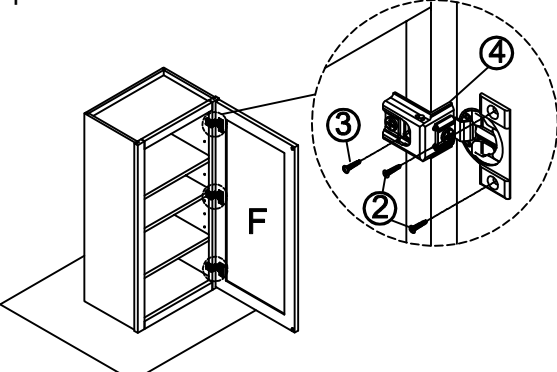
Step6:



side panel(B)

7

Step7:



2

3

4

5

Step8:

