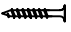






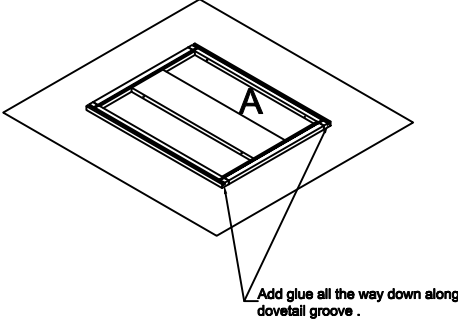


## Wall Cabinet Assembly Instruction (Item: WBC2730-WBC2736)

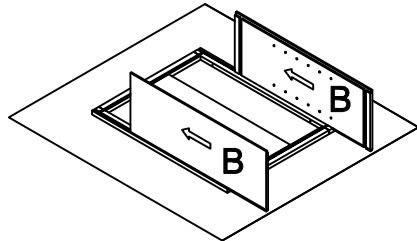
Hard Ware List	1   4PCS   Ø4×25mm	2   4PCS   Ø4×16mm	3   2PCS   Ø4×19mm	4   2PCS   1-1/4"	5   16PCS   Ø4×12mm	6   4PCS	7   8PCS   Ø8mm	
	Flat head screw	Flat head screw	Round head screw	Hinge	Flat head screw	Corner brackets	Shelf clips	
								
Cabinet Parts List	A	Frame	B	Side panels(2)	C	Top panel & Bottom panel(2)	D	Back panel
	E	Adjustable shelf(2)		F	Door			

**Step1:**

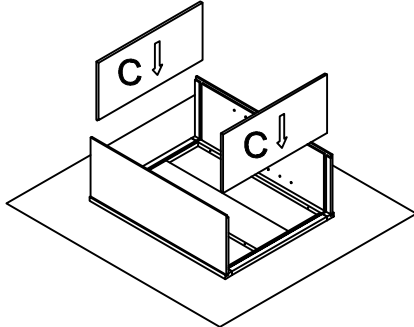


Add glue all the way down along dovetail groove .

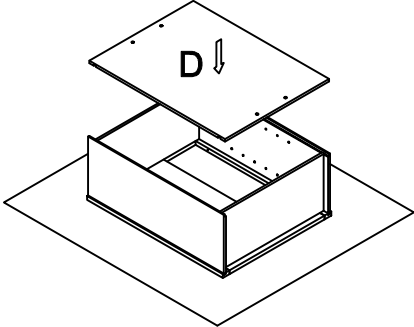
**Step2:**



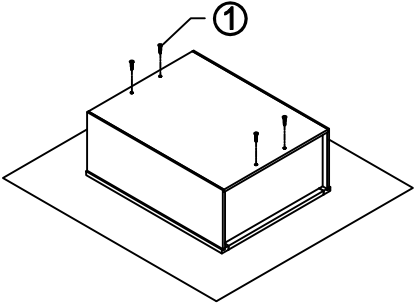
**Step3:**



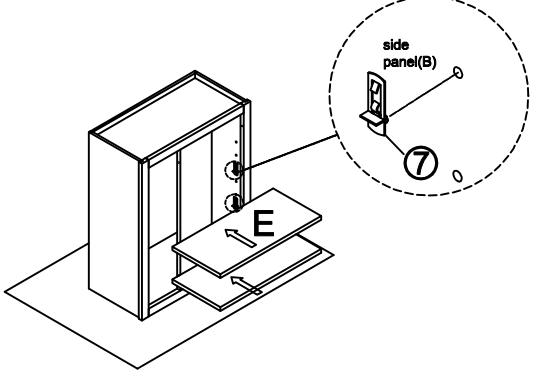
**Step4:**



**Step5:**



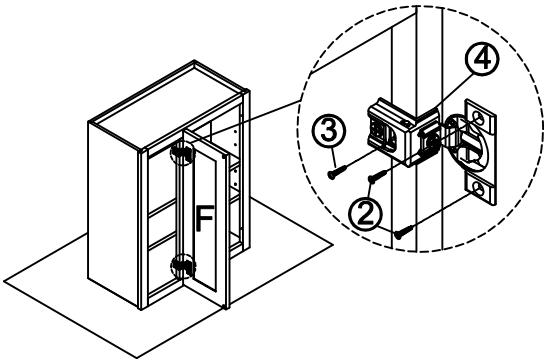
**Step6:**



side panel(B)

7

**Step7:**



3

2

4

**Step8:**

**Note:** Door can be installed either on the left or right depending on the blind side.

