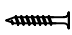








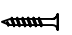
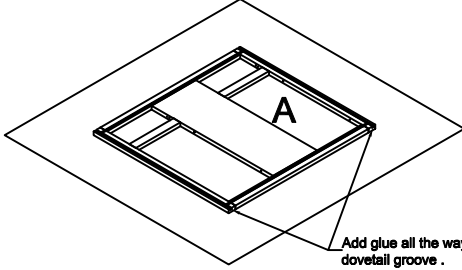


Base Cabinet Assembly Instruction (Item:BBC36-BBC42)

Hard Ware List	1 10PCS Ø4×25mm	2 4PCS Ø4×16mm	3 2PCS Ø4×19mm	4 4PCS 1-1/4"	5 16PCS Ø4×12mm	6 4PCS	7 4PCS Ø8mm	8 1SET
	Flat head screw	Flat head screw	Round head screw	Hinge	Flat head screw	Corner brackets	Shelf clips	Side
								
9 4PCS 60°60°18	10 4PCS Ø4×22mm	Note: Door and drawers can be installed either left or right depending on the blind side.						
Corner block	Flat head screw							
								

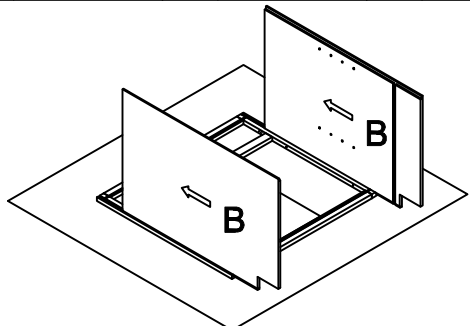
Cabinet Parts List	A	Frame	B	Side panels(2)	C	Bottom panel	D	Back panel	E	Toe kick	F	Adjustable shelf
	G	Door	H	Drawer front	I	Drawer front panel	J	Drawer back panel	K	Drawer side panel(2)	L	Drawer bottom panel

Step1:

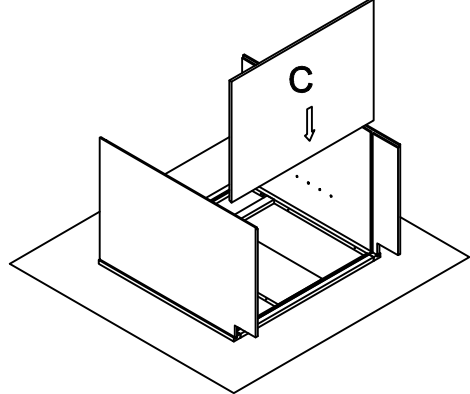


Add glue all the way down along dovetail groove .

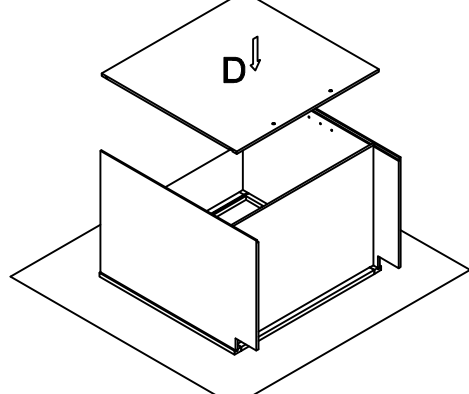
Step2:



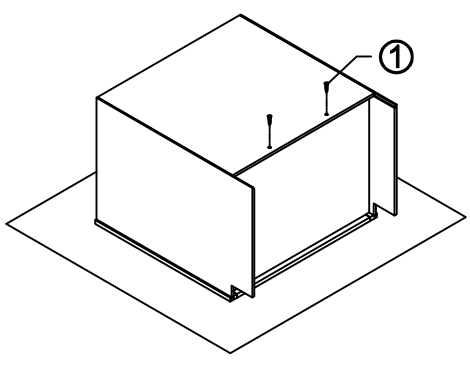
Step3:



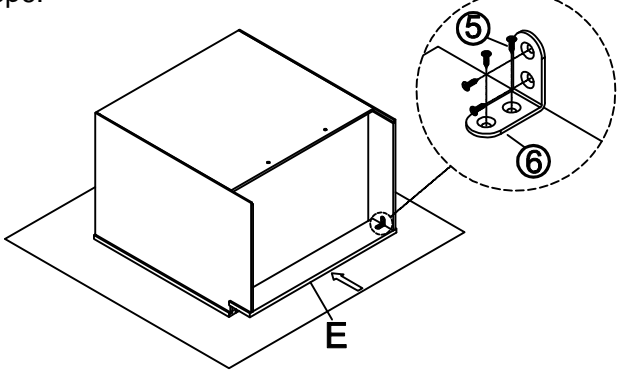
Step4:



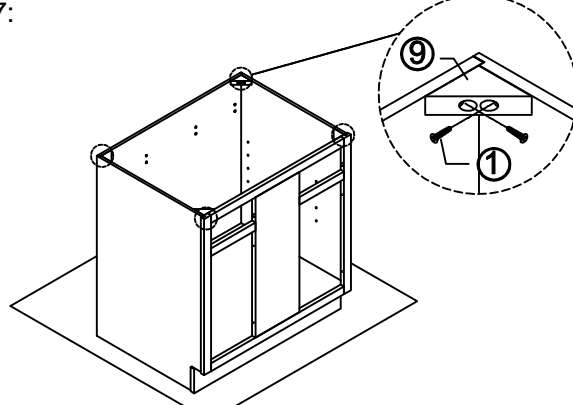
Step5:



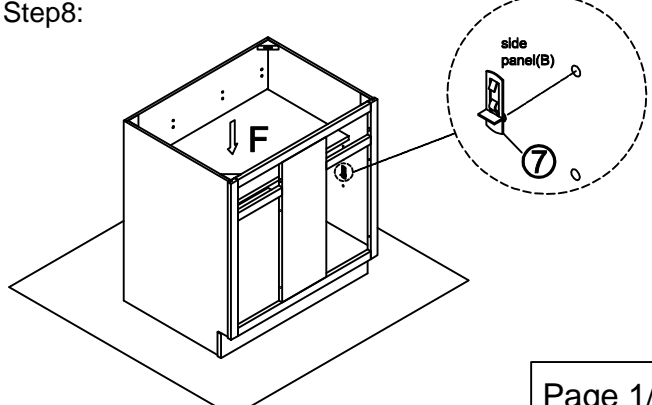
Step6:



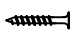



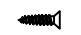




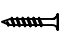
Step7:



Step8:



Base Cabinet Assembly Instruction (Item:BBC39/42-BBC42/45)

Hard Ware List	1 10PCS Ø4×25mm	2 4PCS Ø4×16mm	3 2PCS Ø4×19mm	4 4PCS 1-1/4"	5 16PCS Ø4×12mm	6 4PCS	7 4PCS Ø8mm	8 1SET
	Flat head screw	Flat head screw	Round head screw	Hinge	Flat head screw	Corner brackets	Shelf clips	Slide
								
	9 4PCS 60°60°18	10 4PCS Ø4×22mm						
	Corner block	Flat head screw						
								

Cabinet Parts List	A	Frame	B	Side panels(2)	C	Bottom panel	D	Back panel	E	Toe kick	F	Adjustable shelf
	G	Door	H	Drawer front	I	Drawer front panel	J	Drawer back panel	K	Drawer side panel(2)	L	Drawer bottom panel

